

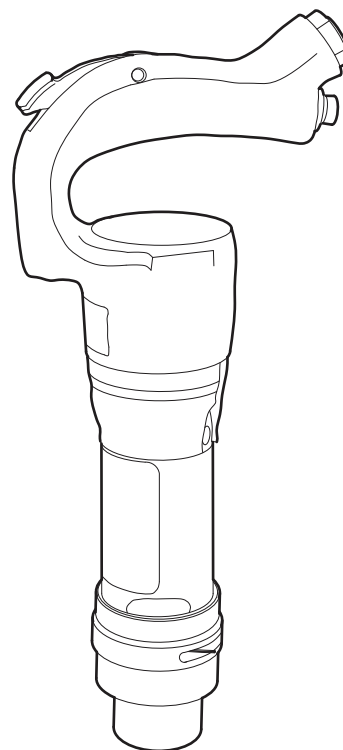


**Chicago  
Pneumatic**

## **Spare parts list**

**Handheld pneumatic chipping hammers**

**CP 4123**





# Contents

<b>General information</b> .....	5
<b>Spare parts list</b> .....	6
CP 4123 2R, CP 4123 2H.....	6
CP 4123 3R, CP 4123 3H.....	8
CP 4123 4R, CP 4123 4H.....	10
<b>Working tools</b> .....	12
Hexagon 0.580 in. (14.7 mm), oval collar.....	12
Hexagon 0.580 in. (14.7 mm), round collar.....	12
Round 0.680 in. (17.3 mm), oval collar.....	13
Round 0.680 in. (17.3 mm), round collar.....	14
Hexagon 14.7 mm (0.580 in.), oval collar.....	14
Hexagon 14.7 mm (0.580 in.), round collar.....	15
Round 17.3 mm (0.680 in.), oval collar.....	15
Round 17.3 mm (0.680 in.), round collar.....	16
<b>Accessories</b> .....	17
Hose rolls.....	17
Pre-mounted universal hoses with claw couplings.....	17
Water separator.....	18
Lubricator.....	18
CP airolene plus tool oil.....	18



## General information

This spare parts list applies to the following:

Description
Handheld pneumatic chipping hammer CP 4123 2R
Handheld pneumatic chipping hammer CP 4123 2H
Handheld pneumatic chipping hammer CP 4123 3R
Handheld pneumatic chipping hammer CP 4123 3H
Handheld pneumatic chipping hammer CP 4123 4R
Handheld pneumatic chipping hammer CP 4123 4H

Use only authorized parts. Any damage or malfunction caused by the use of unauthorized parts is not covered by Warranty or Product Liability. Any unauthorized use or copying of the contents or any part thereof is prohibited. This applies in particular to trademarks, model denominations, part numbers, and drawings.

### Instructions for use

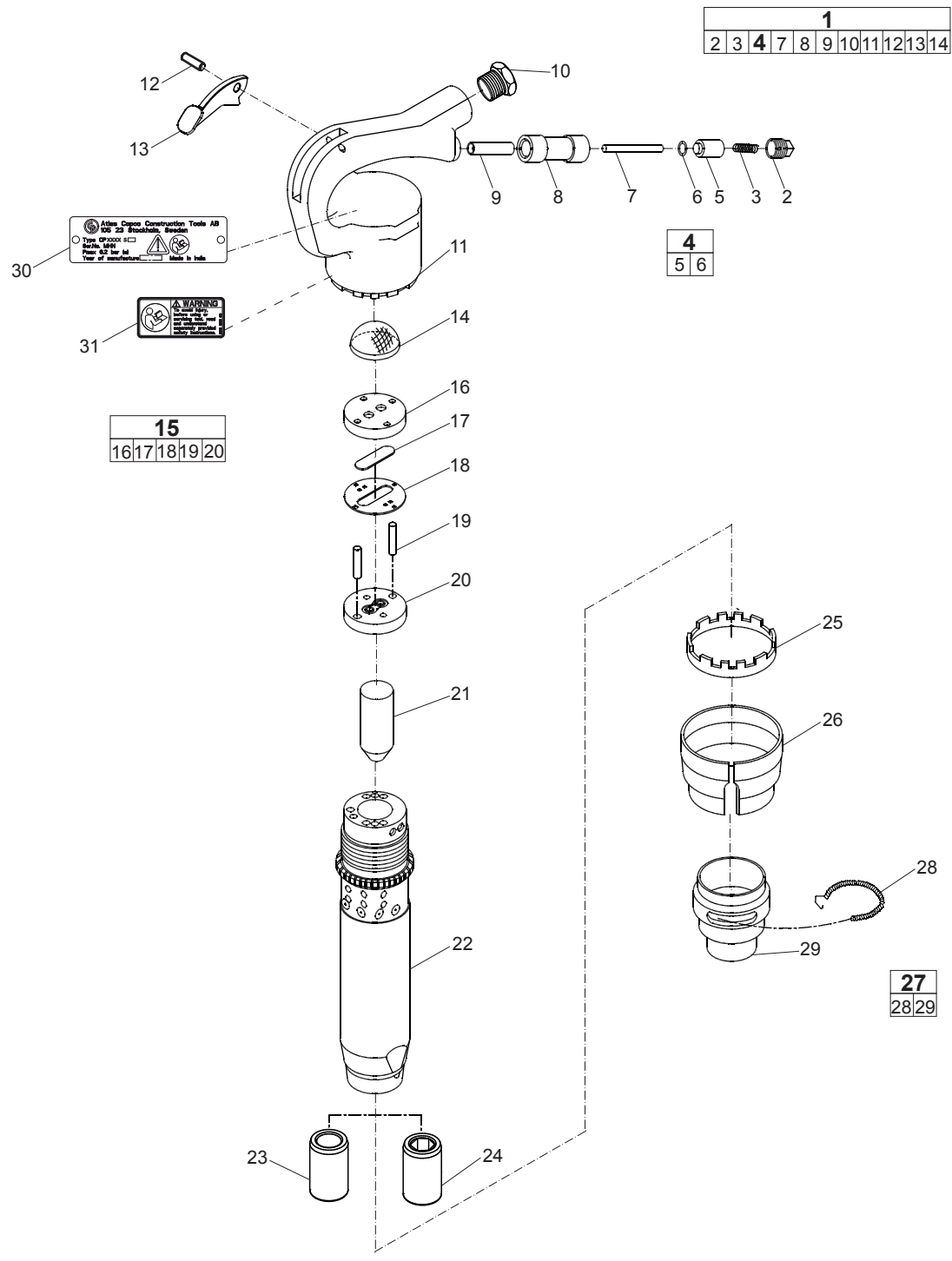
This spare parts list contains no safety regulations and is merely intended to assist in the ordering of spare parts.

For information about operating, servicing, or repairing, the relevant Safety and operating instructions must be consulted at all costs.

Please observe the safety instructions listed in the relevant Safety and operating instructions!

# Spare parts list

## CP 4123 2R, CP 4123 2H

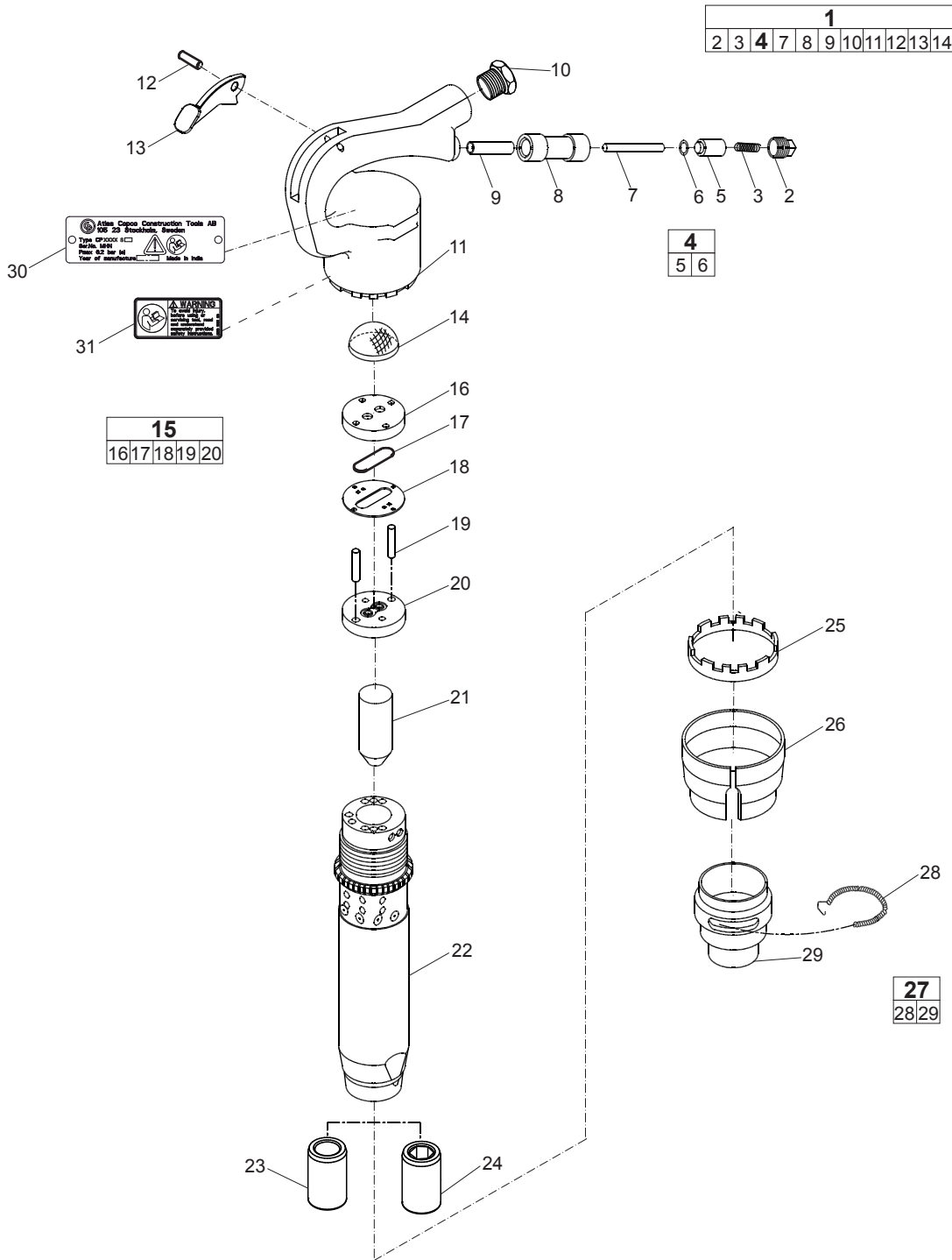


## CP 4123

## Spare parts list

No.	Description	Remark	Quantity	Part number
<b>1(2-3,4,7-14)</b>	<b>Handle, complete</b>		1	Z9983830
2	Plug - Throttle valve		1	P001873
3	Spring - Throttle valve		1	P001853
<b>4(5-6)</b>	<b>Valve - Throttle, complete</b>		1	P001768
5	Valve - Throttle		1	-
6	O-ring		1	P083071
7	Pin - Throttle valve bush		1	P070719
8	Tube - Throttle valve		1	P071318
9	Bushing - Push pin		1	P070733
10	Bushing - Permanent		1	P009585
11	Handle		1	-
12	Pin - Throttle valve		1	A043627
13	Lever - Throttle		1	P009818
14	Screen		1	P092485
<b>15(16-20)</b>	<b>Valve case, complete</b>		1	P077013
16	Lid - Upper valve case		1	P071350
17	Valve		1	P071358
18	Case - Valve		1	P071352
19	Pin - Dowel	$\frac{7}{32}$ in. x $\frac{7}{8}$ in. 5.56 x 22.23 mm	2	A041797
20	Lid - Lower valve case		1	P071351
21	Piston		1	P118662
22	Cylinder		1	-
23	Sleeve - Chisel, round	CP 4123 2R	1	P001550
24	Sleeve - Chisel, hexagon	CP 4123 2H	1	P001551
25	Collar - Lock		1	P128247
26	Shield - Lock		1	P071355
<b>27(28-29)</b>	<b>Sleeve - Retainer, complete</b>		1	P107243
28	Spring - Lock coil		1	P070994
29	Sleeve - Retainer		1	-
30	Data plate		1	-
31	Safety label		1	3310 1602 00

**CP 4123 3R, CP 4123 3H**



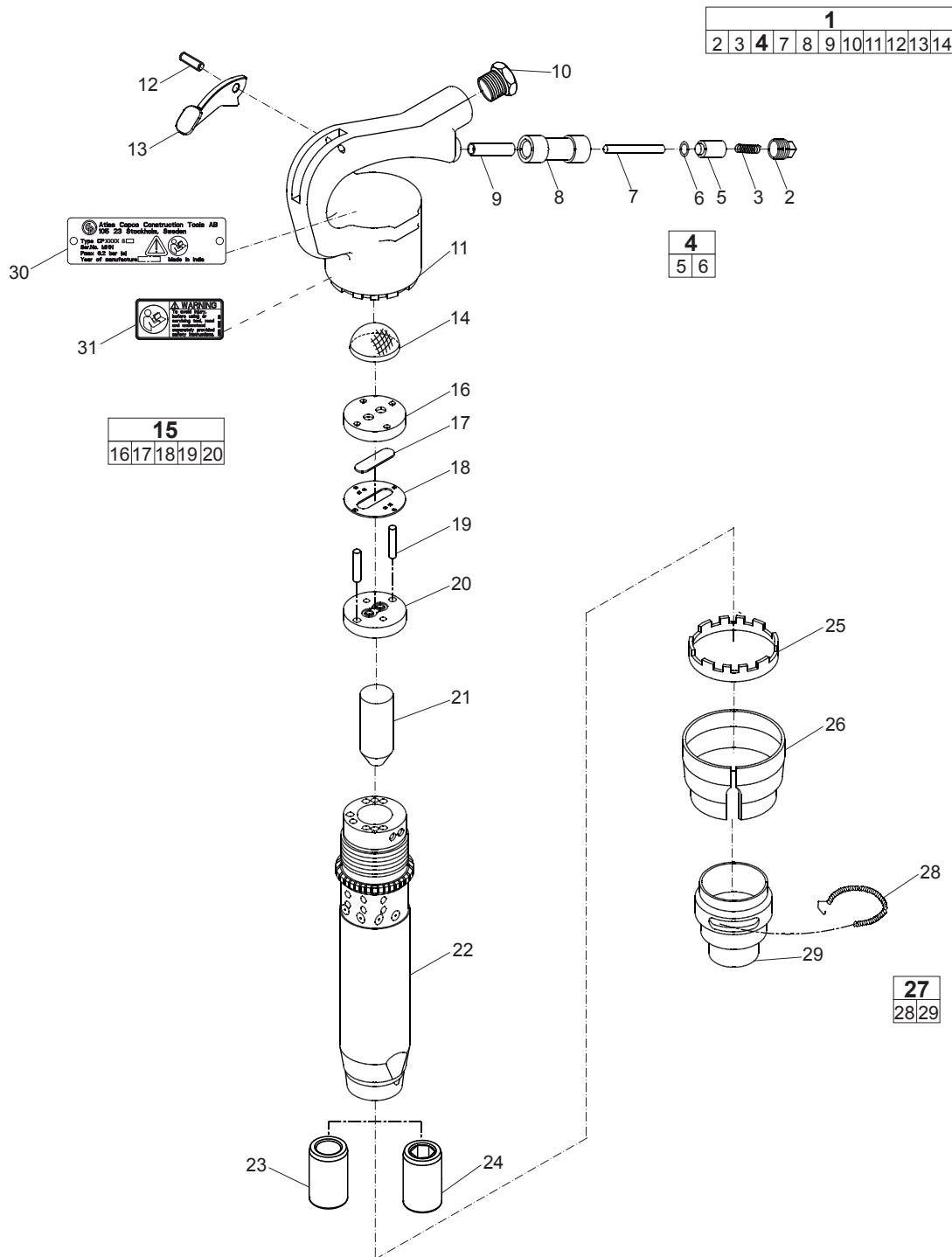


## CP 4123

## Spare parts list

No.	Description	Remark	Quantity	Part number
<b>1(2-3,4,7-14)</b>	<b>Handle, complete</b>		1	Z9983830
2	Plug - Throttle valve		1	P001873
3	Spring - Throttle valve		1	P001853
<b>4(5-6)</b>	<b>Valve - Throttle, complete</b>		1	P001768
5	Valve - Throttle		1	-
6	O-ring		1	P083071
7	Pin - Throttle valve bush		1	P070719
8	Tube - Throttle valve		1	P071318
9	Bushing - Push pin		1	P070733
10	Bushing - Permanent		1	P009585
11	Handle		1	-
12	Pin - Throttle valve		1	A043627
13	Lever - Throttle		1	P009818
14	Screen		1	P092485
<b>15(16-20)</b>	<b>Valve case, complete</b>		1	P077013
16	Lid - Upper valve case		1	P071350
17	Valve		1	P071358
18	Case - Valve		1	P071352
19	Pin - Dowel	7/32 in. x 7/8 in. 5.56 x 22.23 mm	2	A041797
20	Lid - Lower valve case		1	P071351
21	Piston		1	P118662
22	Cylinder		1	-
23	Sleeve - Chisel, round	CP 4123 3R	1	P001550
24	Sleeve - Chisel, hexagon	CP 4123 3H	1	P001551
25	Collar - Lock		1	P128247
26	Shield - Lock		1	P071355
<b>27(28-29)</b>	<b>Sleeve - Retainer, complete</b>		1	P107243
28	Spring - Lock coil		1	P070994
29	Sleeve - Retainer		1	-
30	Data plate		1	-
31	Safety label		1	3310 1602 00

**CP 4123 4R, CP 4123 4H**

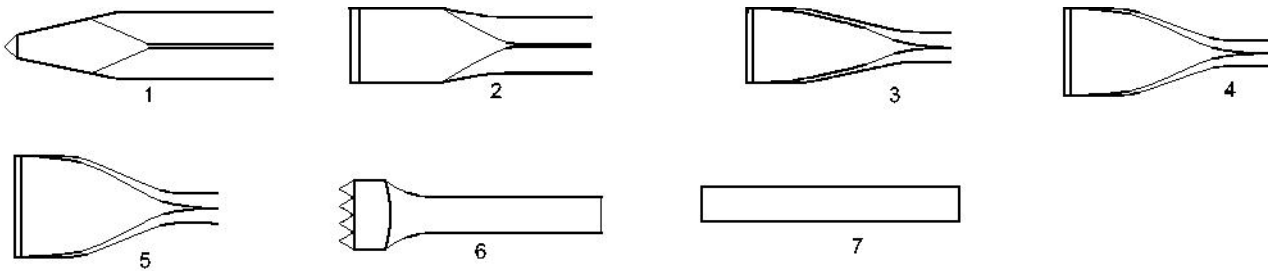


## CP 4123

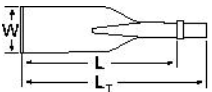
## Spare parts list

No.	Description	Remark	Quantity	Part number
<b>1(2-3,4,7-14)</b>	<b>Handle, complete</b>		1	Z9983830
2	Plug - Throttle valve		1	P001873
3	Spring - Throttle valve		1	P001853
<b>4(5-6)</b>	<b>Valve - Throttle, complete</b>		1	P001768
5	Valve - Throttle		1	-
6	O-ring		1	P083071
7	Pin - Throttle valve bush		1	P070719
8	Tube - Throttle valve		1	P071318
9	Bushing - Push pin		1	P070733
10	Bushing - Permanent		1	P009585
11	Handle		1	-
12	Pin - Throttle valve		1	A043627
13	Lever - Throttle		1	P009818
14	Screen		1	P092485
<b>15(16-20)</b>	<b>Valve case, complete</b>		1	P077013
16	Lid - Upper valve case		1	P071350
17	Valve		1	P071358
18	Case - Valve		1	P071352
19	Pin - Dowel	$\frac{7}{32}$ in. x $\frac{7}{8}$ in. 5.56 x 22.23 mm	2	A041797
20	Lid - Lower valve case		1	P071351
21	Piston		1	P118678
22	Cylinder		1	-
23	Sleeve - Chisel, round	CP 4123 4R	1	P001550
24	Sleeve - Chisel, hexagon	CP 4123 4H	1	P001551
25	Collar - Lock		1	P128247
26	Shield - Lock		1	P071355
<b>27(28-29)</b>	<b>Sleeve - Retainer, complete</b>		1	P107243
28	Spring - Lock coil		1	P070994
29	Sleeve - Retainer		1	-
30	Data plate		1	-
31	Safety label		1	3310 1602 00

## Working tools

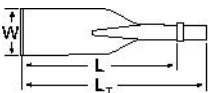


### Hexagon 0.580 in. (14.7 mm), oval collar



No.	Description	W (in.)	L (in.)	L <sub>T</sub> (in.)	Wt (lb)	Part number
1	Moil point	-	6¼	9	1.3	3083 4120 00
		-	9¼	12	1.8	3083 4120 10
		-	15	18	2.4	3083 4120 20
2	Narrow chisel	-	6¼	9	1.3	3083 4121 00
		-	9¼	12	1.8	3083 4121 10
		-	15	18	2.4	3083 4121 20
3	Wide chisel	1½	6¼	9	1.5	3083 4122 00
		1½	9¼	12	2.0	3083 4122 10
		1½	15	18	2.6	3083 4122 20
4	Wide chisel	2	6¼	9	1.8	3083 4122 30
		2	9¼	12	2.2	3083 4122 40
		2	15	18	3.1	3083 4122 50
5	Wide chisel	2½	6¼	9	1.8	3083 4122 60
		2½	9¼	12	2.2	3083 4122 70
		2½	15	18	3.1	3083 4122 80
		3	6¼	9	1.5	3083 4122 90
6	Bushing tool	2	6¼	9½	2.6	3083 4124 00
7	Chisel blank	Ø¾	5	8	1.1	3083 4125 00
		Ø¾	9¼	12	1.5	3083 4125 10

### Hexagon 0.580 in. (14.7 mm), round collar



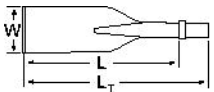
No.	Description	W (in.)	L (in.)	L <sub>T</sub> (in.)	Wt (lb)	Part number
1	Moil point	-	6¼	9	1.3	3083 4130 00
		-	9¼	12	1.8	3083 4130 10
		-	15	18	2.4	3083 4130 20
2	Narrow chisel	-	6¼	9	1.3	3083 4131 00
		-	9¼	12	1.8	3083 4131 10

## CP 4123

## Spare parts list

No.	Description	W (in.)	L (in.)	L <sub>T</sub> (in.)	Wt (lb)	Part number
		-	15	18	2.4	3083 4131 20
3	Wide chisel	1½	6¼	9	1.5	3083 4132 00
		1½	9¼	12	2.0	3083 4132 10
		1½	15	18	2.6	3083 4132 20
4	Wide chisel	2	6¼	9	1.8	3083 4132 30
		2	9¼	12	2.2	3083 4132 40
		2	15	18	3.1	3083 4132 50
5	Wide chisel	2½	6¼	9	1.8	3083 4132 60
		2½	9¼	12	2.2	3083 4132 70
		2½	15	18	3.1	3083 4132 80
		3	6¼	9	1.5	3083 4132 90
6	Bushing tool	2	6¾	9½	2.6	3083 4134 00
7	Chisel blank	¾	5	8¼	1.1	3083 4125 05
		¾	9¼	11¼	1.5	3083 4125 15

## Round 0.680 in. (17.3 mm), oval collar

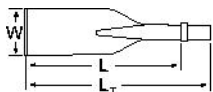


No.	Description	W (in.)	L (in.)	L <sub>T</sub> (in.)	Wt (lb)	Part number
1	Moil point	-	6¼	9	1.3	3083 4100 00
		-	9¼	12	1.8	3083 4100 10
		-	15	18	2.4	3083 4100 20
2	Narrow chisel	-	6¼	9	1.3	3083 4101 00
		-	9¼	12	1.8	3083 4101 10
		-	15	18	2.4	3083 4101 20
3	Wide chisel	1½	6¼	9	1.5	3083 4102 00
		1½	9¼	12	2.0	3083 4102 10
		1½	15	18	2.6	3083 4102 20
4	Wide chisel	2	6¼	9	1.8	3083 4102 30
		2	9¼	12	2.2	3083 4102 40
		2	15	18	3.1	3083 4102 50
5	Wide chisel	2½	6¼	9	1.8	3083 4102 60
		2½	9¼	12	2.2	3083 4102 70
		2½	15	18	3.1	3083 4102 80
		3	6¼	9	1.5	3083 4102 90
6	Bushing tool	2	6¾	9½	2.6	3083 4104 00
7	Chisel blank	Ø¾	5	8	1.1	3083 4105 00
		Ø¾	9¼	12	1.5	3083 4105 10

## Spare parts list

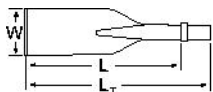
CP 4123

## Round 0.680 in. (17.3 mm), round collar



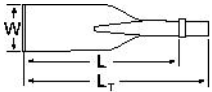
No.	Description	W (in.)	L (in.)	L <sub>T</sub> (in.)	Wt (lb)	Part number
1	Moil point	-	6¼	9	1.3	3083 4110 00
		-	9¼	12	1.8	3083 4110 10
		-	15	18	2.4	3083 4110 20
2	Narrow chisel	-	6¼	9	1.3	3083 4111 00
		-	9¼	12	1.8	3083 4111 10
		-	15	18	2.4	3083 4111 20
3	Wide chisel	1½	6¼	9	1.5	3083 4112 00
		1½	9¼	12	2.0	3083 4112 10
		1½	15	18	2.6	3083 4112 20
4	Wide chisel	2	6¼	9	1.8	3083 4112 30
		2	9¼	12	2.2	3083 4112 40
		2	15	18	3.1	3083 4112 50
5	Wide chisel	2½	6¼	9	1.8	3083 4112 60
		2½	9¼	12	2.2	3083 4112 70
		2½	15	18	3.1	3083 4112 80
		3	6¼	9	1.5	3083 4112 90
6	Bushing tool	2	6¾	9½	2.6	3083 4114 00
7	Chisel blank	¾	5	8¼	1.1	3083 4105 05
		¾	9¼	11¼	1.5	3083 4105 15

## Hexagon 14.7 mm (0.580 in.), oval collar



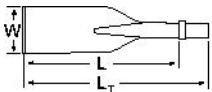
No.	Description	W (mm)	L (mm)	L <sub>T</sub> (mm)	Wt (kg)	Part number
1	Moil point	-	160	230	0.6	3083 4120 00
		-	235	305	0.8	3083 4120 10
		-	380	450	1.1	3083 4120 20
2	Narrow chisel	-	160	230	0.6	3083 4121 00
		-	235	305	0.8	3083 4121 10
		-	380	450	1.1	3083 4121 20
3	Wide chisel	38	160	230	0.7	3083 4122 00
		38	235	305	0.9	3083 4122 10
		38	380	450	1.2	3083 4122 20
4	Wide chisel	50	160	230	0.8	3083 4122 30
		50	235	350	1.0	3083 4122 40
		50	380	450	1.4	3083 4122 50
5	Wide chisel	65	160	230	0.8	3083 4122 60
		65	235	305	1.0	3083 4122 70
		65	380	450	1.4	3083 4122 80
		75	160	230	0.7	3083 4122 90
6	Bushing tool	50	170	240	1.2	3083 4124 00
7	Chisel blank	Ø20	130	200	0.5	3083 4125 00
		Ø20	235	305	0.7	3083 4125 10

## Hexagon 14.7 mm (0.580 in.), round collar



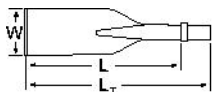
No.	Description	W (mm)	L (mm)	L <sub>T</sub> (mm)	Wt (kg)	Part number
1	Moil point	-	160	230	0.6	3083 4130 00
		-	235	305	0.8	3083 4130 10
		-	380	450	1.1	3083 4130 20
2	Narrow chisel	-	160	230	0.6	3083 4131 00
		-	235	305	0.8	3083 4131 10
		-	380	450	1.1	3083 4131 20
3	Wide chisel	38	160	230	0.7	3083 4132 00
		38	235	305	0.9	3083 4132 10
		38	380	450	1.2	3083 4132 20
4	Wide chisel	50	160	230	0.8	3083 4132 30
		50	235	350	1.0	3083 4132 40
		50	380	450	1.4	3083 4132 50
5	Wide chisel	65	160	230	0.8	3083 4132 60
		65	235	305	1.0	3083 4132 70
		65	380	450	1.4	3083 4132 80
		75	160	230	0.7	3083 4132 90
6	Bushing tool	50	170	240	1.2	3083 4134 00
7	Chisel blank	20	130	200	0.5	3083 4125 05
		20	235	305	0.7	3083 4125 15

## Round 17.3 mm (0.680 in.), oval collar



No.	Description	W (mm)	L (mm)	L <sub>T</sub> (mm)	Wt (kg)	Part number
1	Moil point	-	160	230	0.6	3083 4100 00
		-	235	305	0.8	3083 4100 10
		-	380	450	1.1	3083 4100 20
2	Narrow chisel	-	160	230	0.6	3083 4101 00
		-	235	305	0.8	3083 4101 10
		-	380	450	1.1	3083 4101 20
3	Wide chisel	38	160	230	0.7	3083 4102 00
		38	235	305	0.9	3083 4102 10
		38	380	450	1.2	3083 4102 20
4	Wide chisel	50	160	230	0.8	3083 4102 30
		50	235	350	1.0	3083 4102 40
		50	380	450	1.4	3083 4102 50
5	Wide chisel	65	160	230	0.8	3083 4102 60
		65	235	305	1.0	3083 4102 70
		65	380	450	1.4	3083 4102 80
		75	160	230	0.7	3083 4102 90
6	Bushing tool	50	170	240	1.2	3083 4104 00
7	Chisel blank	Ø20	130	200	0.5	3083 4105 00
		Ø20	235	305	0.7	3083 4105 10

## Round 17.3 mm (0.680 in.), round collar



No.	Description	W (mm)	L (mm)	L <sub>T</sub> (mm)	Wt (kg)	Part number
1	Moil point	-	160	230	0.6	3083 4110 00
		-	235	305	0.8	3083 4110 10
		-	380	450	1.1	3083 4110 20
2	Narrow chisel	-	160	230	0.6	3083 4111 00
		-	235	305	0.8	3083 4111 10
		-	380	450	1.1	3083 4111 20
3	Wide chisel	38	160	230	0.7	3083 4112 00
		38	235	305	0.9	3083 4112 10
		38	380	450	1.2	3083 4112 20
4	Wide chisel	50	160	230	0.8	3083 4112 30
		50	235	350	1.0	3083 4112 40
		50	380	450	1.4	3083 4112 50
5	Wide chisel	65	160	230	0.8	3083 4112 60
		65	235	305	1.0	3083 4112 70
		65	380	450	1.4	3083 4112 80
		75	160	230	0.7	3083 4112 90
6	Bushing tool	50	170	240	1.2	3083 4114 00
7	Chisel blank	20	130	200	0.5	3083 4105 05
		20	235	305	0.7	3083 4105 15



## Accessories

### Hose rolls

#### Metric

Description	Inner diameter (mm)	Thickness (mm)	Maximum working pressure (bar)	Length of roll (m)	Weight (kg)	Part number
Red-X hose roll	19	2.0	20	60	11	8900 0050 10
Red-X hose roll	19	2.0	20	100	18	8900 0050 11
Red-X hose roll	19	2.0	20	200	36	8900 0050 12
Red-X hose roll	25	2.5	20	60	15	8900 0050 20
Red-X hose roll	25	2.5	20	100	25	8900 0050 21
Red-X hose roll	25	2.5	20	200	50	8900 0050 22

#### Imperial

Description	Inner diameter (in.)	Thickness (in.)	Maximum working pressure (psi)	Length of roll (ft)	Weight (lb)	Part number
Red-X hose roll	$\frac{3}{4}$	$\frac{5}{64}$	290	195	24.3	8900 0050 10
Red-X hose roll	$\frac{3}{4}$	$\frac{5}{64}$	290	325	39.7	8900 0050 11
Red-X hose roll	$\frac{3}{4}$	$\frac{5}{64}$	290	650	79.4	8900 0050 12
Red-X hose roll	1	$\frac{3}{32}$	290	195	33.1	8900 0050 20
Red-X hose roll	1	$\frac{3}{32}$	290	325	55.1	8900 0050 21
Red-X hose roll	1	$\frac{3}{32}$	290	650	110.2	8900 0050 22

### Pre-mounted universal hoses with claw couplings

#### Metric

Description	Inner diameter (mm)	Thickness (mm)	Maximum working pressure (bar)	Length of roll (m)	Weight (kg)	Part number
Red-X universal hose	19	2.0	20	20	4.5	8900 0050 09
Red-X universal hose	25	2.5	20	20	6.0	8900 0050 23

#### Imperial

Description	Inner diameter (in.)	Thickness (in.)	Maximum working pressure (psi)	Length of roll (ft)	Weight (lb)	Part number
Red-X universal hose	$\frac{3}{4}$	$\frac{5}{64}$	290	50	8.8	8900 0050 08
Red-X universal hose	1	$\frac{3}{32}$	290	50	11.0	8900 0050 24

## Water separator

### Metric

Description	Hose connection (mm)	Air flow (l/s)	Weight (kg)	Part number
Water separator (¾ in. BSP)	20	61	0.8	8900 0050 00

### Imperial

Description	Hose connection (in.)	Air flow (foot <sup>3</sup> /min)	Weight (lb)	Part number
Water separator (¾ in. NPT)	¾	130	1.8	8900 0050 01

## Lubricator

### Metric

Description	Hose connection (mm)	Air flow (l/s)	Oil volume (l)	Weight (kg)	Part number
Lubricator 1300 (1 in. BSP)	25	15-140	1.3	3	8900 0050 02

### Imperial

Description	Hose connection (in.)	Air flow (foot <sup>3</sup> /min)	Oil volume (US gallon)	Weight (lb)	Part number
Lubricator 43 (1 in. NPT)	1	32-300	0.34	6.6	8900 0050 07

## CP airolene plus tool oil

### Metric

Description	Oil volume (l)	Part number
5 l container	5	8099 0202 49
4 x 5 l container	20	8099 0202 51

### Imperial

Description	Oil volume (US gallon)	Part number
1.32 US gallon container	1.32	8099 0202 49
4 x 1.32 US gallon container	5.28	8099 0202 51





**Chicago  
Pneumatic**

**2010-05 | No. 9800 0521 01a**

© Copyright Atlas Copco Construction Tools AB | STOCKHOLM • SWEDEN